

# FACADE

# Installation & operating manual

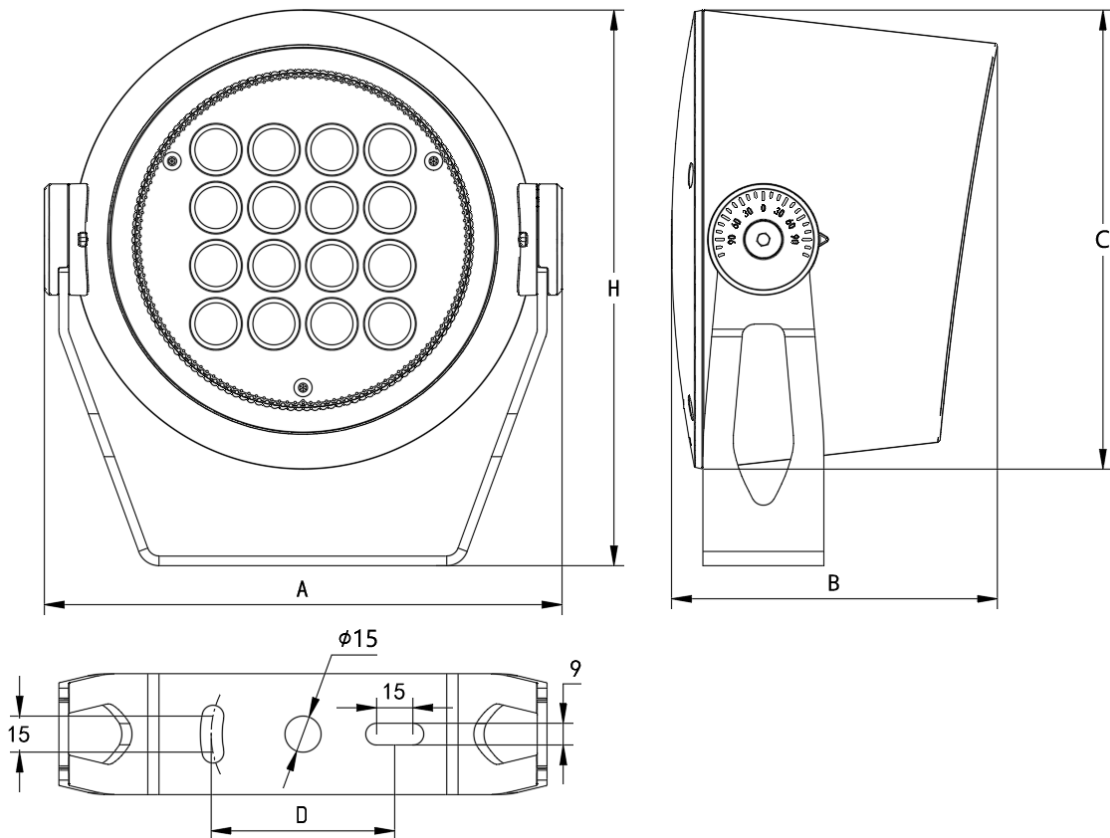
RP1-XS/S/M/L/XL



**WARNING:**

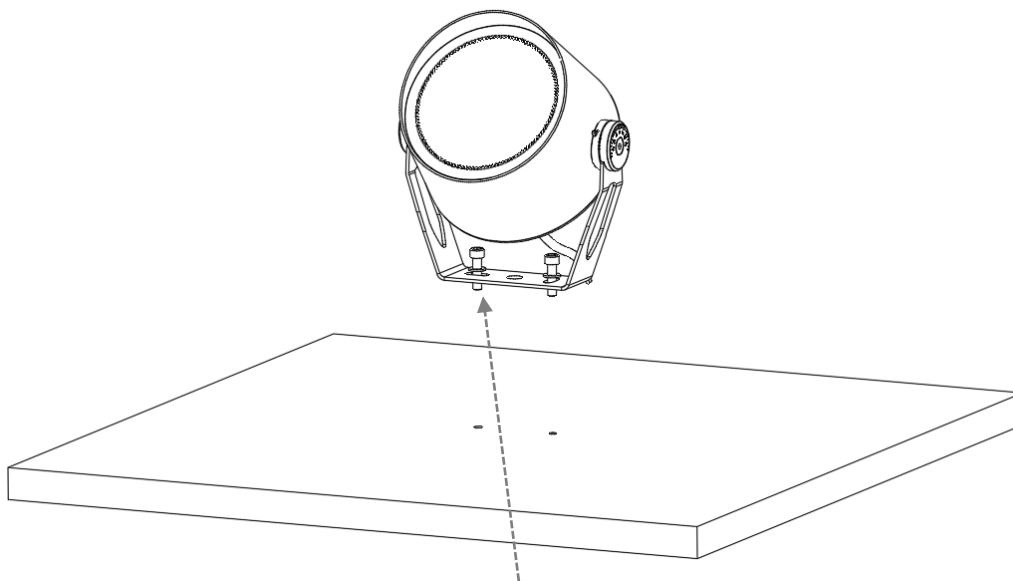
1. The safety of this fixture is guaranteed only if you comply with these instructions; remember to conserve a safe place.
2. Before opening the package, please check if there's damage or defect during transportation, if damage occurs, please don't use it and inform your supplier immediately. Please do not attempt to use a damaged product.
3. The product should be installed, dismantled and maintained by a qualified electrician; Suppliers don't take charge of any problems or damages that occur due to mishandling such as an operation not permitted in this manual.
4. Be certain electrical power is OFF before and during installation and maintenance.
5. Caution, risk of electric shock. ⚠
6. The light source of this luminaire is not replaceable; when the light source reaches its end of life the whole luminaire shall be replaced

## 1 Dimensions



SIZE	A	B	C	D	H	Weight	Fixed height	Projected area
XS	127	92	120	45	155.5	1.4Kg	15m	0.02 m <sup>2</sup>
S	184	122.6	160	60	200	2.6Kg	15m	0.025m <sup>2</sup>
M	214	135	190	76	230	3.7Kg	15m	0.03 m <sup>2</sup>
L	254	145	230	86	265	5.1Kg	15m	0.036 m <sup>2</sup>
XL	304	170	280	100	330	7.6Kg	15m	0.046 m <sup>2</sup>

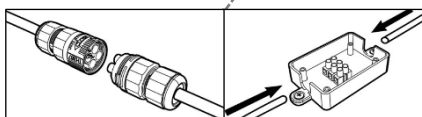
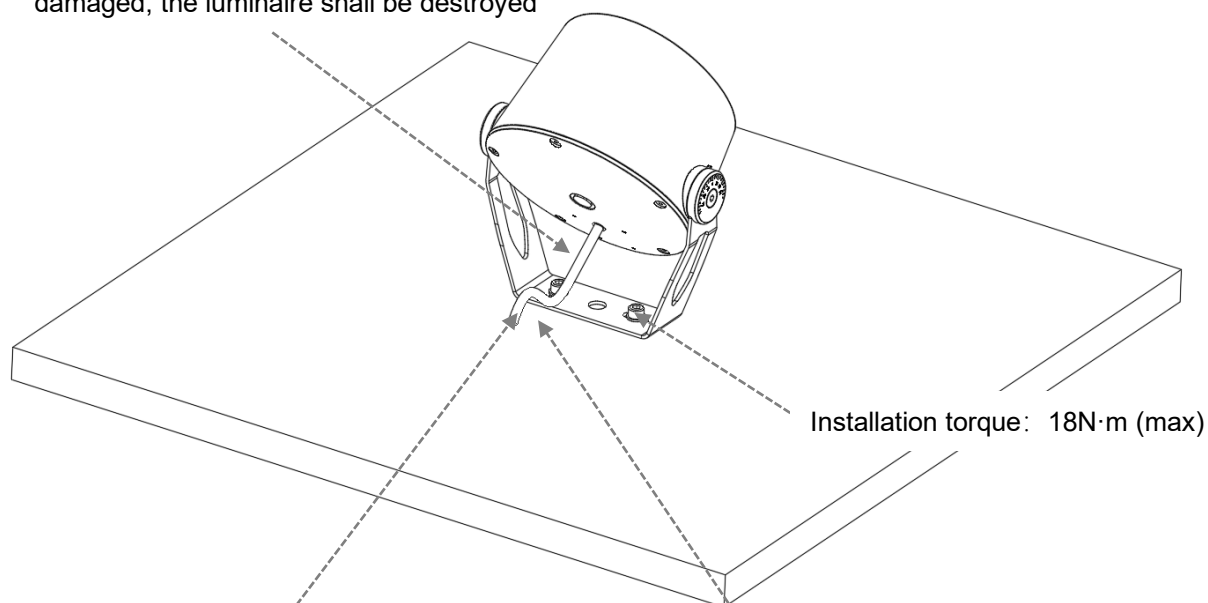
## 2 Mounting Bracket



Suggest using M8 bolts for installing

## 3 Connects Cables

The external flexible cable or cord of this luminaire cannot be replaced; if the cord is damaged, the luminaire shall be destroyed



Blue: N

Yellow and green: G

Brown: L

#### 4 Adjust angle

